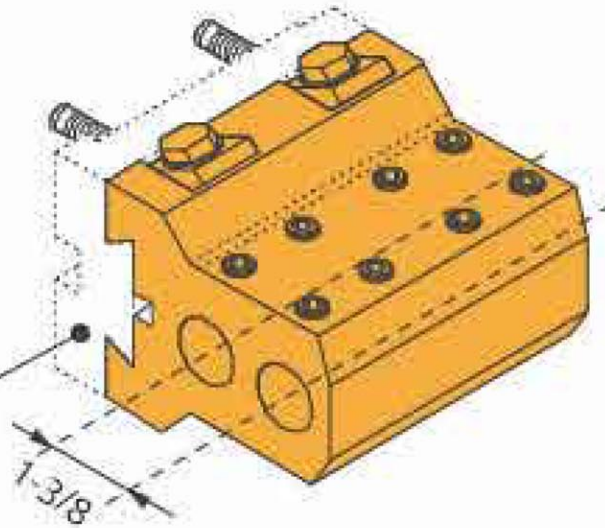


See 10.57.92.00  
for dovetail base



**AXIAL 2+2 POSITION UPRIGHT  
BORING BAR HOLDER, 1"**

**41.03.29.00-A**